

**EPIC® SENSORS**

**Threaded thermowells without cooling neck**

**Features**

- according to DIN 43772 form 2
- fitted to application with thread, no welding required
- compact size allows installation in tight places
- ideal for low temperatures
- used to house mineral insulated temperature sensor element
- allows easy replacement of sensor element, without interrupting the process
- gable gland for max Ø14 mm cable
- ATEX compatible Ex db version available
- 3D step models available on request.

**Typical applications**

- energy and power plant technology
- process industry
- chemical industry
- machinery and vessel construction
- manufacturing industry.



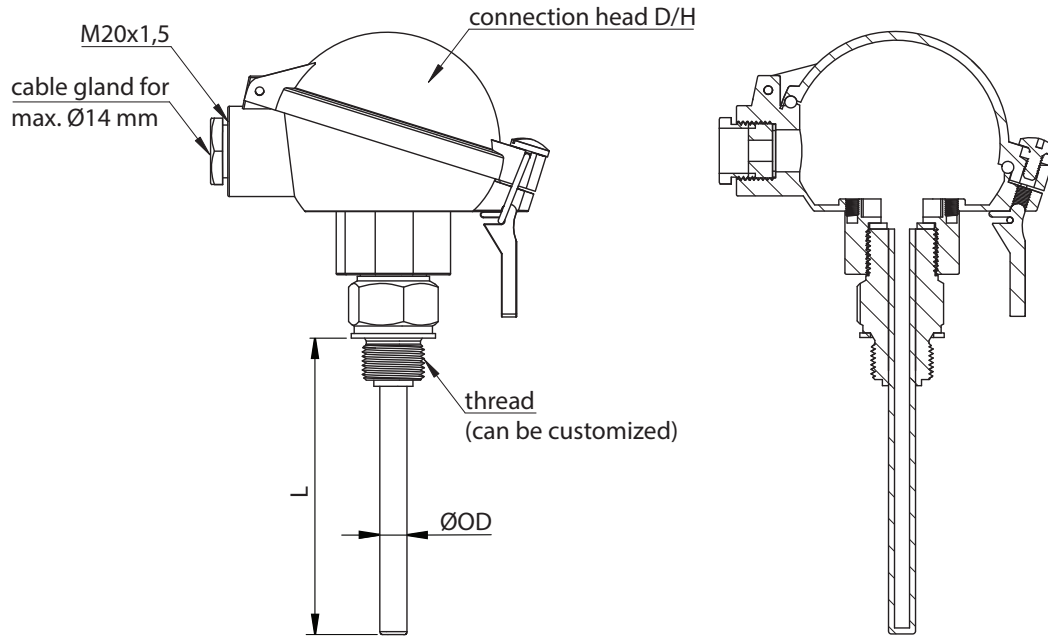
**Technical data**

<b>Material</b>	AISI 316L / EN1.4404, maximum temperature +250 °C, temporarily +300 °C, Other materials on request
<b>Thread</b>	G, R, metric and NPT, Other threads on request
<b>Diameter</b>	Ø6 mm, Ø9 mm or Ø11 mm, Other diameters available on request
<b>Approvals</b>	ATEX, IECEx, EAC Ex, EAC EMC, METROLOGICAL PATTERN APPROVAL
<b>Quality certificate</b>	ISO 9001:2015 issued by DNV-GL
<b>IP rating</b>	IP65, higher IP rating on request

**EPIC® SENSORS**

**Threaded thermowells without cooling neck**

**Drawing**



**Product code key**

Example code: B — 9K — D/H — 100 — G½" — X

B	= thread in thermowell (constant in code)	↑
6, 9, 11	= thermowell outer diameter (ØOD) [mm], other diameters on request	↑
K	= without cooling neck (constant in code)	↑
B	= connection head B	
D/H	= connection head with snap lock	
D/H/D	= connection head with snap lock and double barrel (2x cable gland)	
D/W/H	= high cover connection head with snap lock	
D/W/H/D	= high cover connection head with snap lock and double barrel (2x cable gland)	
EXD	= ATEX compatible connection head	
HST	= acid proof connection head	
N	= connection head N	
100	= length, L [mm]	↑
G½"	= thread size (all available, also NPT)	↑
X	= additional details on the text line	↑
	_____	
	_____	