

EPIC® SENSORS

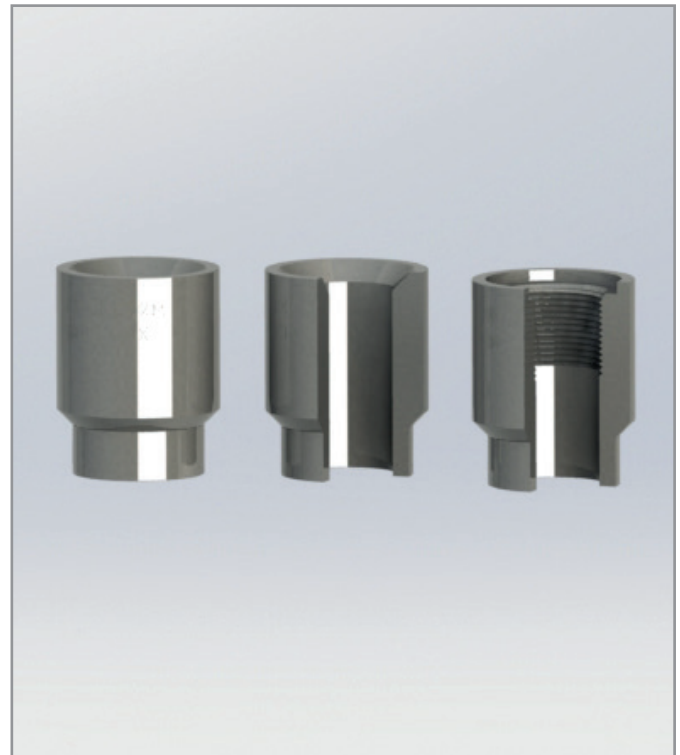
Welding sleeves

Features

- typically used with welded thermowells or threaded thermowells
- welding sleeves are equipped with or without thread
- threadless sleeve is first welded to the process pipe and then bored to precise inner dimensions, thermowell type D1/S, D4/S, D1, D4 or D5 is then welded to the sleeve
- sleeve and thermowell must be same material for the welding to succeed
- welded thread sleeve is also first welded to process pipe, threaded thermowell is installed to the sleeve after
- 3D step models available on request.

Typical applications

- energy and power plant technology
- process industry
- chemical industry
- machinery and vessel construction
- manufacturing industry.



Technical data

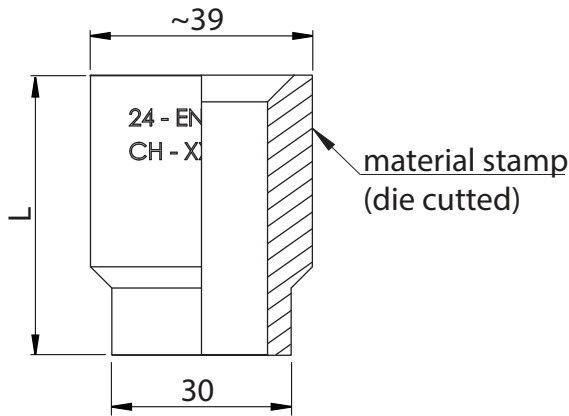
Materials	L = 13CrMo44 / EN1.7335, max. temperature +550 °C, M = 10CrMo910 / EN1.7380, max. temperature +580 °C, O = 16Mo3 / EN1.5415, max. temperature +480 °C, K = AISI 316L / EN1.4404, max. temperature +600 °C Other materials available on request
Thread	G, R, metric and NPT, Other threads available on request
Internal diameter	Ø18 mm or Ø24 mm (tolerances class G7 according to ISO 286-2), Other diameters available on request
Quality certificate	ISO 9001:2015 issued by DNV-GL

EPIC® SENSORS

Welding sleeves

Drawing

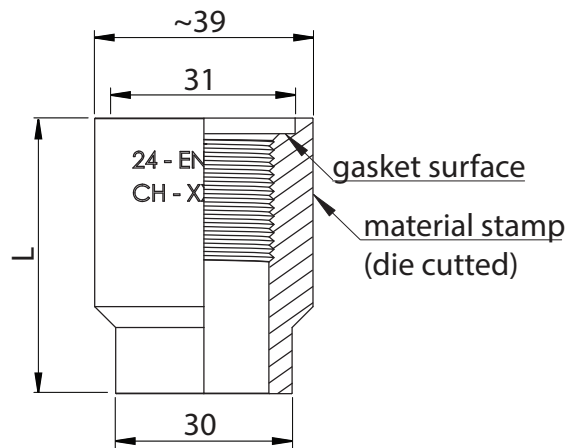
Welding sleeves for welded thermowells:



Product Code	Internal diameter [mm]	Material	Tolerance (ISO 286-2)	Compatible thermowell type
1025309	18	K - EN1.4404	G7	D1S and D4S
1025312	18	L - EN1.7335	G7	D1S and D4S
1025313	18	M - EN1.7380	G7	D1S and D4S
918138	18	O - EN1.5415	G7	D1S and D4S
912333	24	K - EN1.4404	G7	D1, D4 and D5
912331	24	L - EN1.7335	G7	D1, D4 and D5
912332	24	M - EN1.7380	G7	D1, D4 and D5
912334	24	O - EN1.5415	G7	D1, D4 and D5

G7 tolerance according to ISO 286-2:
 for 18 mm hole, upper limit deviation +0.024 mm, lower limit deviation +0.006 mm
 for 24 mm hole, upper limit deviation +0.028 mm, lower limit deviation +0.006 mm

Welded thread sleeves for threaded thermowells:



Product Code	Thread	Length, L [mm]
1025314	G1/2"	30
1002689	G1/2"	70
1003144	G1/2"	100
1028394	G1"	70