

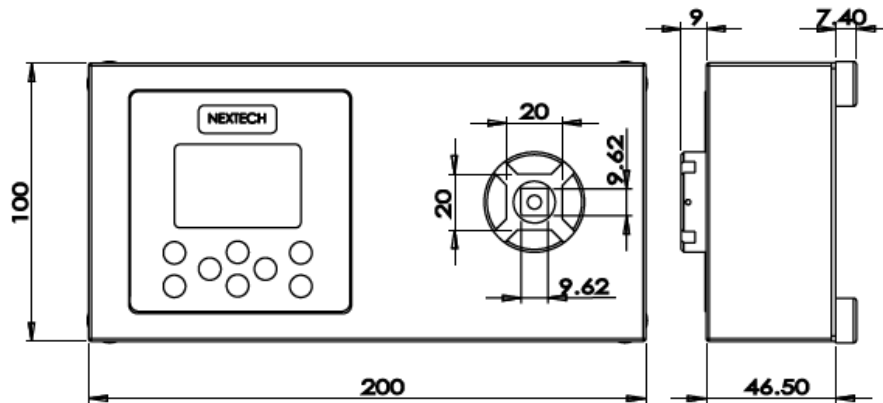
## Zusatzbeschreibung DB

Drawing of SAUTER DB series

Models: DB 0.5-4 to DB 10-3

With:

- Rubber Feet
- Measuring sensor head: 20 mm & 3,8 " square socket



Models: DB 20-3 to 500-2

With:

- Mounting Plate (four holes)
- Measuring sensor head dimension: See table:

Modell SAUTER	Sensor head
DB 20-3	20mm & 3,8"
DB 50-2	20mm & 3,8"
DB 100-2	3/8"
DA 200-2	1/2"
DB 500-2	3/4"

