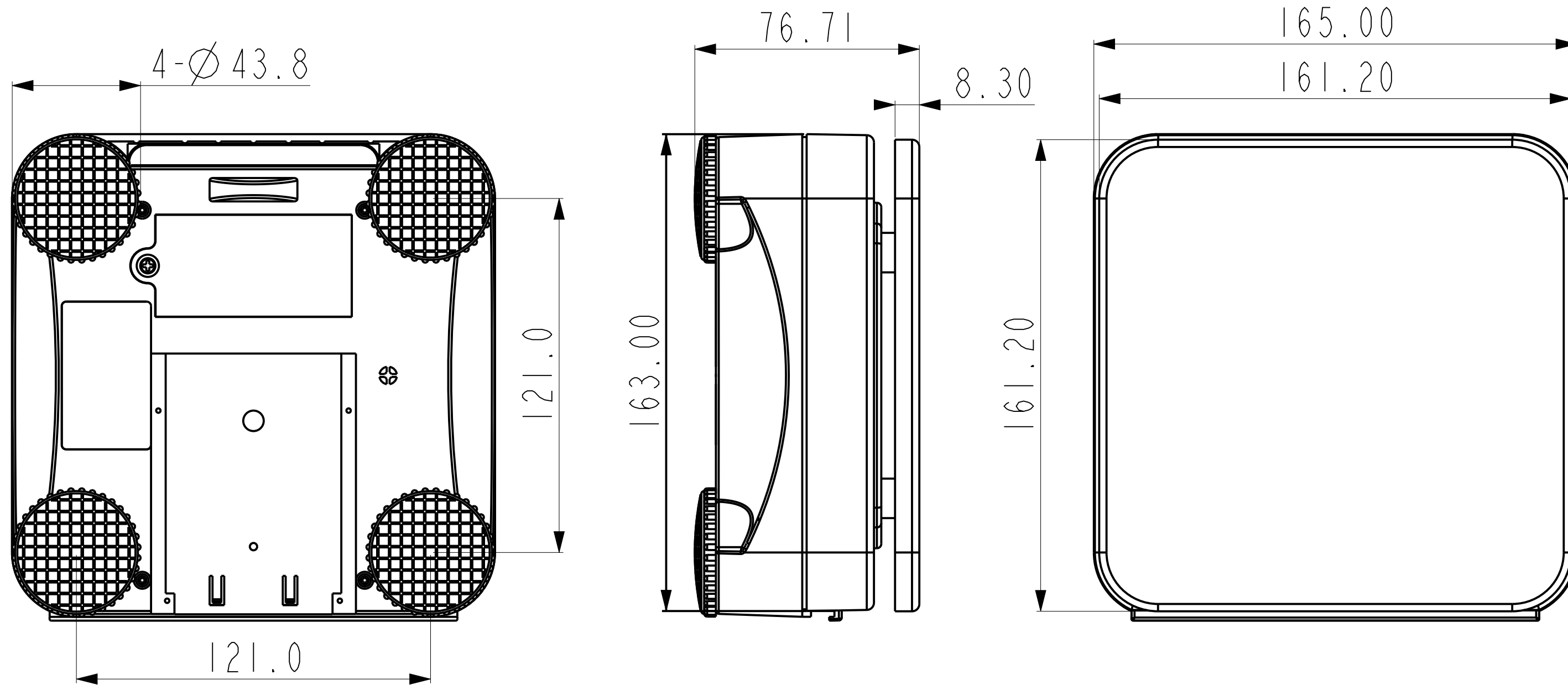
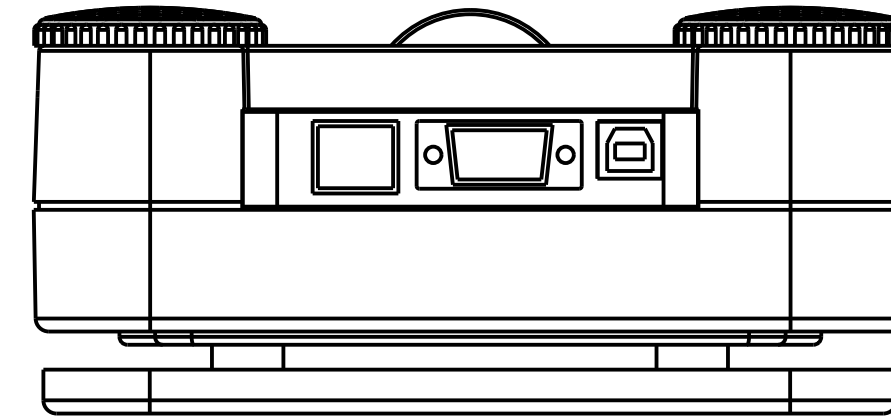


REVISIONS				
ZONE	REV.	DESCRIPTION	DATE	APPROVED
	00	N/A	Nov04, 19	



TOLERANCE UNLESS OTHERWISE SPECIFIED DEC ANGLES ±0.1 FOR 0.X ±0.5 ±0.05 FOR 0.XX		KERN® KERN & Sohn GmbH		
3RD ANGLE PROJECTION DRAWN ZhaoZiBing CHECKED APPROVED UNIT mm		Nov04, 19 TITLE: Scale Platform Kern KDP 10K-4(10K-3)Dimension Drawing MODEL NO. 1.14.0384840/870 PART NO. MATERIAL FINISH SCALE 7:10 DO NOT SCALE DRAWING SHEET 1 OF 1		