



KERN & Sohn GmbH

Ziegelei 1
D-72336 Balingen
E-Mail: info@kern-sohn.com

Phone: +49-[0]7433- 9933-0
Fax: +49-[0]7433-9933-149
Internet: www.kern-sohn.com

Operating manual

Hand rails with seat

KERN MWA-A04

Version 1.0
2018-09
GB



MWA-A04-BA-e-1810



KERN MWA-A04

Version 1.0 2018-09

Operating manual Hand rails with seat

Contents

1	Technical data.....	3
2	Scope of delivery	4
3	Explanation of the graphic symbols	4
4	Basic Information (General).....	5
5	Basic Safety Precautions	8
6	Transport and storage.....	8
7	Unpacking/installing.....	9
8	Operation.....	10
9	Cleaning / disinfecting.....	13

1 Technical data

KERN (type)	TMWA-A04-A
Model	MWA-A04
Dimensions (D x H x W) mm	470 x 310 x 460
Dimensions completely assembled	1040 x 4530 x 1125
Seating surface	470 x 310 x 460
Net weight	8000 g
Tripod height	1125 mm



Hand rail only suitable for assembly to KERN scales MWA 300K-100NM.



When using the MWA-A04 in combination with the scales MWA 300K-100NM, always keep in mind the operating manual of scales MWA 300K-100NM.

2 Scope of delivery

- Hand rail
- 4 Screws
- Operating manual
- 1 Ramp

3 Explanation of the graphic symbols

SN WF 18xxx

Designation of the serial number of every device, applied at the device and on the packaging.

Number here as example



Identification of the manufacturing date of the medical product.

Year and month here as example



„Attention observe accompanying document“, or
„Follow operating instructions“



Kern & Sohn GmbH
D – 72336 Balingen
Ziegelei 1
www.kern-sohn.com

Manufacturer's marking of the
medical product with address

4 Basic Information (General)



As per guideline 2014/31/EG the scales must be verified for the following purposes. Article 1, paragraph 4. "Determination of mass in the practice of medicine that is, weighing patients for reasons of medical supervision during medical surveillance, examination and treatment."

Defined purpose **Indication:**
MWA-A04 in combination with scales KERN MWA 300K100NM;

- Determining the body weight in the medical practice area.
- Use as "non-standalone weighing scale", that is, e.g. a person sits carefully onto the centre of the unfolded seating surface.
- For wheel chair scales, a wheel chair together with the person sitting in it is pushed over the ramp into the centre of the weighing plate and/or the electric wheel chair is moved automatically driven onto the weighing plate.
- The assembled MWA-A04 permits the following additional feature: The person to be weighed can remain seated during the weighing process
- **Contraindication:**

No contraindication known.

Proper use



This weighing scale is designed to determine a person's weight in either standing or sitting position according to the model, in medical treatment rooms. The balance is suitable for recognising, preventing and controlling illnesses.

The intended purpose of the seating surface is used to obtain the body weight of persons who are not more able to stand upright. The seating surface is not designed for long-time sitting, so it should be unloaded directly after having obtained the weighing value. Using the seating surface is only permitted under the supervision of medical personnel.

Scales fitted with a serial interface may only be connected to appliances in compliance with Directive EN60601-1.

When using the KERN MWA scales, the person to be weighed has to step carefully onto the centre of the weighing platform.

For persons who are unsafe when standing on their legs it is recommended that they sit on the unfolded seat. If necessary, help the persons when they are sitting down.

The weighing scale is designed for continuous duty.

As soon as a stable weighing value is reached the weighing value can be read.

The weighing scale can be accessed/exited from one side.

The balance should be checked for correct condition prior to each utilisation by a person familiar with proper operation of the balance.

Make sure that the person to be weighed does not have wet feet (risk of slipping).

Improper Use The hand rail has been designed to stabilize the person. It must always be stable and be assembled according to the description.

Additional loads are not permitted and may result in damage or injury.

Please note:

Injury of persons or material damage:

The maximum allowed load of the folding seat is less than the maximum admitted load of the scale.

Do not exceed the maximum admitted load on the folding seat

Do not use the folding seat when there is a risk that the person's weight exceeds the admitted load on the folding seat

Do not use these scales for dynamic weighing processes.

Do not leave permanent load on the weighing pan. This may damage the measuring system.

Impacts and overloading exceeding the stated maximum load (max) of the weighing plate, minus a possibly existing tare load, must be strictly avoided. This could cause damage to the balance.

Never operate balance in explosive environment. The serial version is not explosion protected. It should be noted that a flammable mixture of anaesthetics and oxygen or laughing gas may occur.

The structure of the balance may not be modified. This may lead to incorrect weighing results, safety-related faults and destruction of the balance.

The balance may only be used according to the described conditions. Other areas of use must be released by KERN in writing.

Warranty Warranty claims shall be voided in case

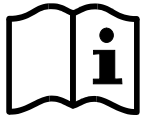
- Our conditions in the operation manual are ignored
- The appliance is used outside the described uses
- The appliance is modified or opened
- Mechanical damage and damage caused by media, liquids,
- Natural wear and tear
- The appliance is improperly set up or incorrectly electrically connected
- The measuring system is overloaded
- Dropping the balance

Test device control

In the framework of quality assurance the measuring-related weighing properties of the balance and, if applicable, the testing weight, must be checked regularly. The responsible user must define a suitable interval as well as type and scope of this test. Information is available on KERN's home page (www.kern-sohn.com) with regard to the monitoring of balance test substances and the test weights required for this. In KERN's accredited DKD calibration laboratory test weights and balances may be calibrated (return to the national standard) fast and at moderate cost.

Using measuring technology to check the accuracy of the measuring device is recommended for personal balances with body height measurement but is not absolutely essential as the calculation of the human body height is always subject to a great deal of inaccuracy.

5 Basic Safety Precautions



Carefully read this operation manual before commissioning, even if you are already familiar with KERN products.

Staff training

The medical staff must apply and follow the operating instructions for proper use and care of the product.

Avoiding contamination

In order to avoid crossed contamination (fungal disease,...) the parts coming into contact with the patient must be cleared regularly.

Recommendation:

After every application which could have a potential contamination as consequence (e.g. direct contact with the skin).

6 Transport and storage

Testing upon acceptance

When receiving the appliance, please check packaging immediately, and the appliance itself when unpacking for possible visible damage.

Packaging / return transport



- ⇒ Keep all parts of the original packaging for a possibly required return.
- ⇒ Only use original packaging for returning.
- ⇒ Prior to dispatch disconnect all cables and remove loose/mobile parts.
- ⇒ Reattach possibly supplied transport securing devices.
- ⇒ Secure all parts such as the weighing platform, power unit etc. against shifting and damage.

7 Unpacking/installing

7.1 Installation Site, Location of Use

The balances are designed in a way that reliable weighing results are achieved in common conditions of use.

You will work accurately and fast, if you select the right location for your balance.

Therefore, observe the following for the installation site:

- Avoid extreme heat as well as temperature fluctuation caused by installing next to a radiator or in the direct sunlight;
- Avoid jarring during weighing;
- Protect the appliance against high humidity, vapours and dust;
- Do not expose the device to extreme dampness for longer periods of time. Non-permitted condensation (condensation of air humidity on the appliance) may occur if a cold appliance is taken to a considerably warmer environment.
- Prevent static charge to device or the person to be weighed.
- Avoid contact with water.

Major display deviations (incorrect weighing results) may be experienced, should electromagnetic fields (e.g. due to mobile phones or radio equipment), static electricity accumulations or instable power supply occur. Change location or remove source of interference.

7.2 Unpacking

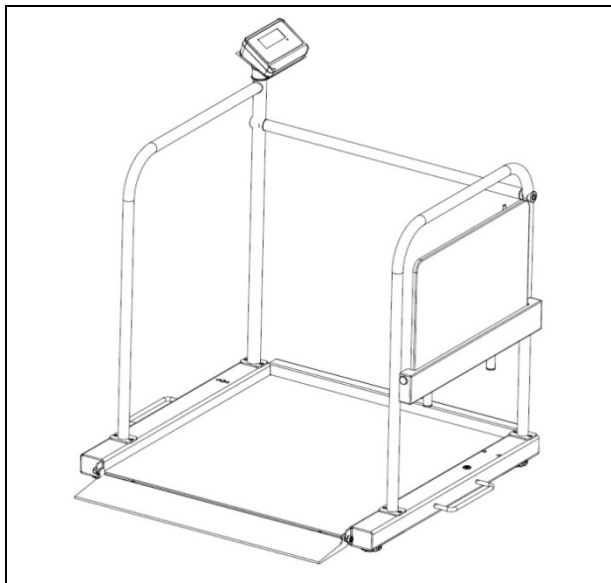
Take the individual parts carefully out of their packaging and place them at the intended position.

8 Operation

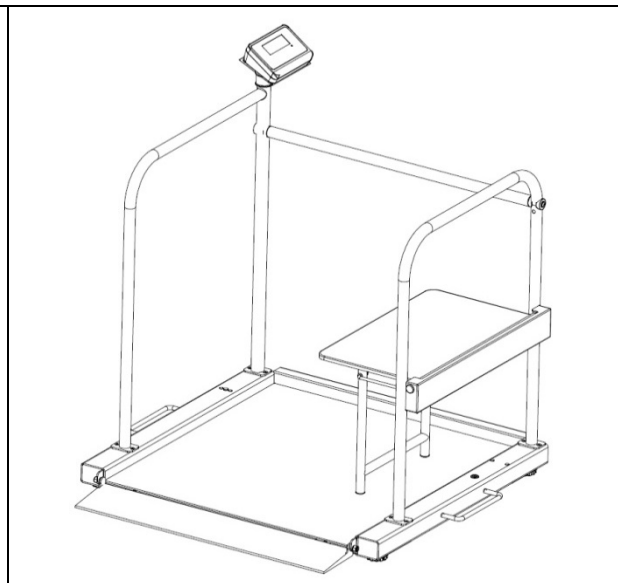
Due to the installation of the hand rail with seat, the wheel chair scale KERN balance MWA 300K-100NM permits safe weighing during sitting.



- For the exact handling when weighing with seat please refer to the operating manual of the KERN balance MWA 300K-100NM.
- For using a balance with folding seat, make sure that the balance has only **one** weighing ramp.



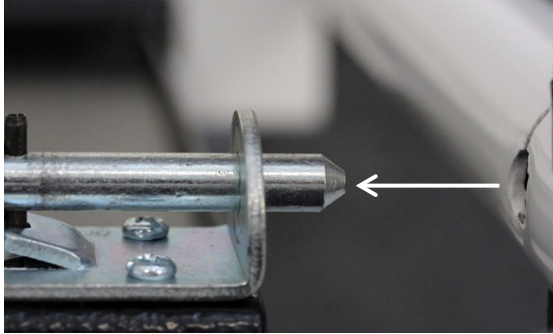
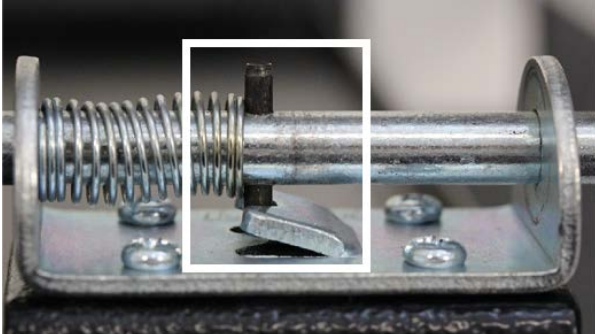
Seat folded up



Seat unfolded

8.1 Weighing with seat

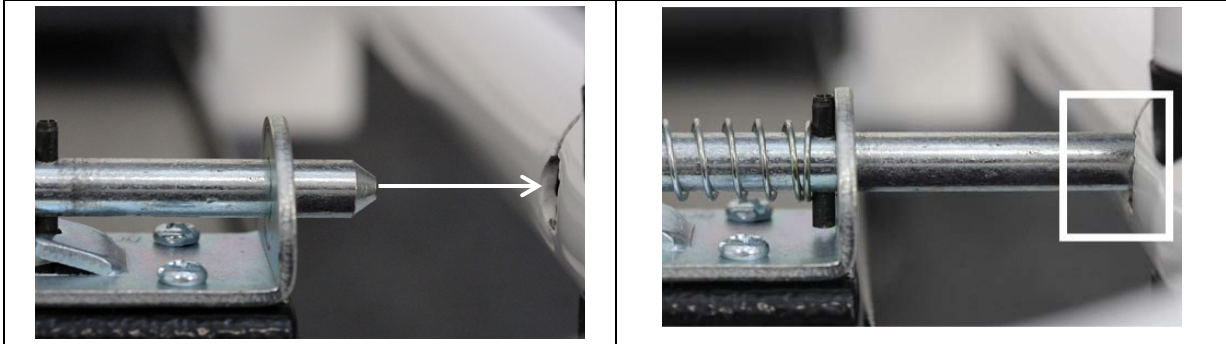
Unfold folding seat

1	2
Pull out safety bolt (see fig.)	Rotate the safety bolt and hook the black bolt into the metal piece to make sure that the balance will not be damaged by the safety bolt
	

- ⇒ Ensure that there are no loads on the weighing plate.
- ⇒ Unfold seat
- ⇒ Make sure that the seat bearings are completely unfolded
- ⇒ Let the person enter the weighing surface
- ⇒ Ensure that the person stays without moving
- ⇒ Ensure that the person sits down carefully onto the centre of the seating surface and remains quietly seated
- ⇒ Carry out weighing process and read the weighing value
- ⇒ After weighing make sure that the patient leaves the weighing surface slowly and carefully

Fold up the folding seat

⇒ Fold-up the seat ensuring that the safety bolt is again firmly engaged into the provided opening in the hand rail. (See illustration)



- It is important to lock the seat correctly in order to avoid being unfolded unintentionally.
- After weighing ensure that the seat being folded up is not unlocked unintentionally.
- The chair bearings must be folded-in completely.

9 Cleaning / disinfecting

9.1 Cleaning / disinfecting

Clean weighing platform (such as seat) as well as casing with household detergents or commercially available disinfectants, e.g. 70% isopropanol. We recommend a disinfectant suitable for wiping disinfection. Please follow manufacturer's instructions.

Do not use abrasive or aggressive cleaners such as spirits or alcohol or similar as they might damage the high-quality surface.

To prevent cross-contamination (fungal skin infection) please observe the following time intervals for disinfection:

- Weighing plate before and after any measurement with direct skin contact
- When required:
 - Display
 - Touch-sensitive keyboard



Do not spray disinfectants onto appliance.

Make sure that disinfectant does not penetrate the interior of the balance.

Remove dirt immediately.

9.2 Sterilisation

Sterilisation of the appliance not allowed.