

Before you start you will need the following equipment :-

- TC calibrator with internal cold junction compensation
- DC milliamp meter (digital); accuracy 0.05% on 0 to 20 mA range
- Power Supply; 24V DC 30mA Min
- T/C Compensating wire, wire for 4-20mA loop, plus trim tool
- Soldering iron with fine tip, solder. De-soldering tool.

**Step 1** Decide on the range you require and ensure the transmitter is capable of this range. If a range has not been specified at time of order, the transmitter will leave the factory set as type K, 0 to 1000°C. Obtain access to the internal PCB by flipping out the base cover, using a small screw driver. Remove any pre-solder links from positions A, B, C, D, X, Y, Z, and J.

**Step 2** Let TL = offset  
Locate offset TL on Table 1 and solder blob indicated links.

**Step 3** If TC type is "J" then solder blob link "J"

**Step 4** Let TI = Required Temperature @ 4mA  
Let Th = Required Temperature @ 20mA  
Calculate Transmitter Span

$$T_s = T_h - T_l$$

Locate span Ts on table 2 and solder blob links indicated.

**Step 5** If down scale burn out is required, un-solder link "U" and solder link "D".  
(If up/down scale burnout is not important then remove both links U + D)

**Step 6** Connect T/C calibrator to +/- input terminals. Ensure wires are the correct type and polarity. Connect + Signal Terminal to + power supply terminal. Connect mA meter in series with the return wire from the - Signal terminal to - terminal on power supply. Turn on. Allow a few minutes before calibration to allow the cold junction to stabilise, after the effects of handling the transmitter. Avoid touching the input terminals and wires during calibration as this will cause errors in the cold junction tracking.

**Step 7** Set calibrator to temperature TI and adjust "Z" potentiometer for 4.0mA output  $\pm 0.01$  mA.

**Step 8** Set calibrator to temperature Th and adjust "S" potentiometer for 20mA output  $\pm 0.01$  mA.

**Step 9** Repeat Step 6 and Step 7 until both points are in tolerance.

**Step 10** Turn off power and remove wires. Mark transmitter with the new range.

**Table 1 TL Offset Links Group X, Y + Z**

Type K	Type T	Type J	Solder links
-120/-99	-150/-105	-130/-56	
-98/-59	-104/-62	-95/-58	X
-58/-23	-61/-24	-57/-23	Y
-22/9	-23/9	-22/9	X, Y
10/40	10/40	10/40	Z
41/72	41/71	41/72	X, Z
73/104	72/99	73/102	Y, Z
105/130	100/120	103/130	X, Y, Z

**Table 2 TS Span Links Group A,B,C +D**

Type K	Type T	Type J	Solder Links
75/148	75/137	75/102	
149/214	138/189	103/170	A
215/280	190/239	171/225	B
281/341	240/284	226/283	A, B
342/401	285/327	284/341	C
402/464	328/371	342/409	A, C
465/527	372/400	410/464	B, C
528/587		465/521	A, B, C
588/646		522/578	D
647/710		579/642	A, D
711/752		643/692	B, D
753/836		693/743	A, B, D
837/899		744/793	C, D
90/966		794/851	A, C, D
967/1035		852/900	B, C, D
1036/1075		901/1000	A, B, C, D

**Note :** Max recommended temperature for type J input is 760°C.

# SEM104/TC Thermocouple Transmitter

Designed, manufactured and supported by :



Gannaway Lane  
Tewkesbury. Gloucestershire  
GL20 8FD. UK  
Telephone : 01684 296818  
Fax : 01684 293746  
Email: support@status.co.uk

Every effort has been taken to ensure the accuracy of this specification, however we do not accept responsibility for damage, injury, loss or expense resulting from errors and omissions, and we reserve the right of amendment without notice.

Stock code : 52-214-2069

Issue: 07



**Important – Read this document before installing.**

## 1.0 DESCRIPTION

This device is a low cost thermocouple input two wire 4-20mA temperature transmitter. The transmitter is available in a number of standard sensor types and ranges, but if required the user may re-range the transmitter to a preferred range within the limits shown below. Automatic thermocouple cold junction compensation is provided. The output is directly referenced to the mV input, allowing linearisation to be carried out by the loop monitoring instrumentation, if required. The device is housed inside a plastic enclosure, suitable for head mounting into any DIN style enclosure. Screw terminals are provided for wire connections. The enclosure provides access to the range setting links and trim potentiometers.

## 2.0 SPECIFICATION @ 20 °C

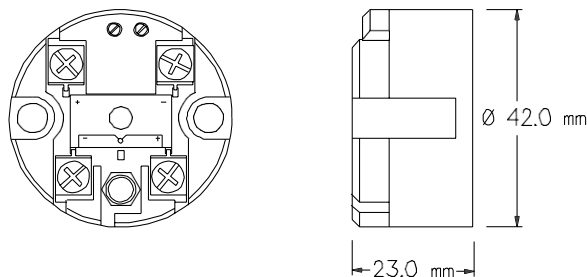
Input	Isolated Junction Un-grounded thermocouple
Thermocouple Types	K T J
Minimum Span	75 75 75 °C
Maximum Span	1000 400 760 °C
Offset Range	±100 ±100 ±100 °C
Accuracy (less C.J)	±0.1% FS (0/100 °C range)
Overall Stability (inc C.J)	400ppm/°C (0/100 °C range)
Input Impedance	> 1 M ohm
Lead Resistance	Typ 0.01°C/ohm for type K 0/100°C
Burn Out	Up Scale Standard, Down Scale by link change.
Cold Junction	Automatic 0 to 70°C Accuracy 0.2°C @20°C, tracking ±0.05°C/°C
Output Type	4 to 20 mA (directly proportional to mV input) Over-range < 25 mA ; under-range < 3.5 mA
Supply Voltage	10 to 30 VDC reverse connection protected.
Loop Sensitivity	10µA / Volt
Temperature Stability	Zero drift typical 0.05% /°C
Span	typical 0.002%/°C
Loop Ripple	Less than 40uA/V (measured at 1v ripple 100Hz)
Loop Resistance	(V Supply - 10)/0.021
Response Time	2 mS to reach 70% of final value
Ambient Temperature	0 to 70 °C operation, -40 to 85 °C storage
Ambient Humidity	0 to 95 % (non condensing)
Connections	Recommended cable size 2.5mm sq.
EMC Compliant with	EN50081-1 EN50082-1

## 3.0 INSTALLATION

### 3.1 Mechanical

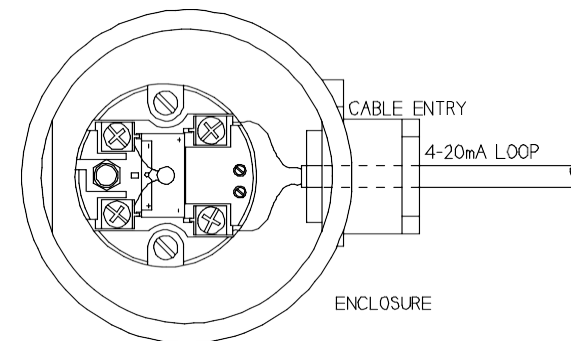
The transmitter is mounted using two 5.5mm diameter holes, on standard 33 mm fixing centres. This transmitter has been specifically designed to be mounted inside a DIN standard probe termination head enclosure, which should provide adequate protection from moisture, corrosive atmosphere etc. All cable entries should be sealed using the correct size cable gland. Care must be taken when locating the transmitter to ensure the ambient temperature will remain inside the specified range of 0 to 70°C, for best operation keep the ambient within the range 10 to 30°C.

The diagrams show the mechanical layout and a typical application of the transmitter mounted inside a probe head enclosure, with sensor wires entering through the centre hole.



Mounting holes : 2 holes 5.5mm diameter, 33mm centres

Centre hole sensor wire entry : 4.0mm diameter



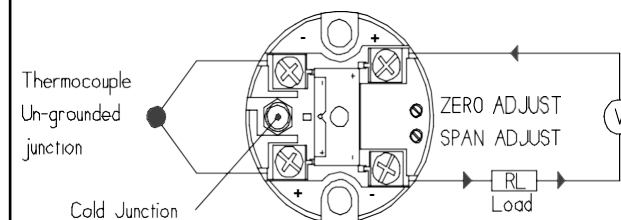
### 3.2 Electrical

Connections to the transmitter are made to the screw terminals provided on the top face. No special wires are required for the output connections, but screened twisted pair cables are recommended for long runs. A hole is provided through the centre of the transmitter to allow sensor wires, (entering direct from the probe assembly via a base entry), to be threaded through the transmitter body, direct to the input screw terminals. The screw terminals have been designed to allow all connection wires to enter from an inner or outer direction.

The transmitter is protected against reverse connection by means of a series diode, therefore incorrect connection of the output wires will result in near zero current flow in the loop. Incorrect connection of the sensor wires will result in the transmitter saturating at either its low or upper limits, depending on the setting of the burnout links.

The diagram shows the method of connection to provide a 4-20 mA current loop output. The TC sensor shown would normally take the form of a probe assembly with a two wire output. The output loop shows a 24V DC power supply, used to provide loop excitation, the transmitter, and a load all connected in series. The load symbol represents other equipment in the loop, normally indicators, controllers, loggers etc. Care must be taken when designing the 4-20mA circuit to ensure that the total burden of the loop, that is the total voltage requirements of all the equipment in the loop added together, does not exceed the power supply voltage. If a number of instruments are connected in the loop, ensure that only one instrument is tied to ground. Grounding the loop at two points will result in shorting out part of the loop and therefore the instruments in that part of the loop will not operate.

- Note :** The thermocouple used with this transmitter **MUST** be isolated from ground. If a grounded thermocouple is used, measurement errors will occur



## 4.0 RANGES

This transmitter is normally supplied as one of the standard ranges, refer to data sheet. Other ranges can be supplied at time of order but with the aid of suitable equipment, the user can re-range the transmitter. On board links allow the transmitter to be re-ranged to operate over most common industrial and commercial ranges.

### Procedure

- Warning** Re-ranging requires the soldering of small links located on a pcb, housed inside the transmitter. The operator must be experienced in soldering and un-soldering techniques on small PCB, or damage may occur to both PCB and enclosure. If in doubt please state the required range at the time of order, to allow the factory to calibrate for you. It is the users responsibility to ensure that no damage occurs due to lack of care during this re-ranging procedure.