



Taking Moisture Determination in Agricultural Applications to the Next Level

Combining efficiency and reliability, the MC2000 Hand Held Grain Moisture Analyzer is designed for accurate determination of grain moisture content in agricultural applications, including quality control and storage. Simple to set up and operate with a user-friendly interface, the MC2000 increases productivity in your operation with fast and reliable results. MC2000 features a compact design, and is durably built for repetitive use.

Standard Features Include:

- User-friendly touch-button design for easy operation.
- Temperature compensation system ensures accurate results in five seconds.
- The versatile MC2000 can test 50-grain categories (10 pre-programmed).

MC2000 *Moisture Analyzer*

Model	MC2000
Moisture Range	3%-45%
Readability	0.1%
Repeatability	0.2%
Sample Volume	220 ml
Power	4AA batteries (included)
Operating Temperature Range	0°C-50°C
Display Type	Liquid crystal display (LCD) with backlight
Displays	% Moisture, Weight, Density, Statistics, Temperature
Sample Category	50 (10 pre-programmed)
Pre-Programmed Sample	Indica rice, Japonica rice, Wheat, Corn, Rapeseed, Soybean, Rice, Barley, Peanut, Durra
Dimensions (W × H × D)	19 × 20 × 12 cm
Net Weight	0.8 kg
Shipping Weight	2.6 kg
Calibration Mass	200 g (included)
Output	miniUSB

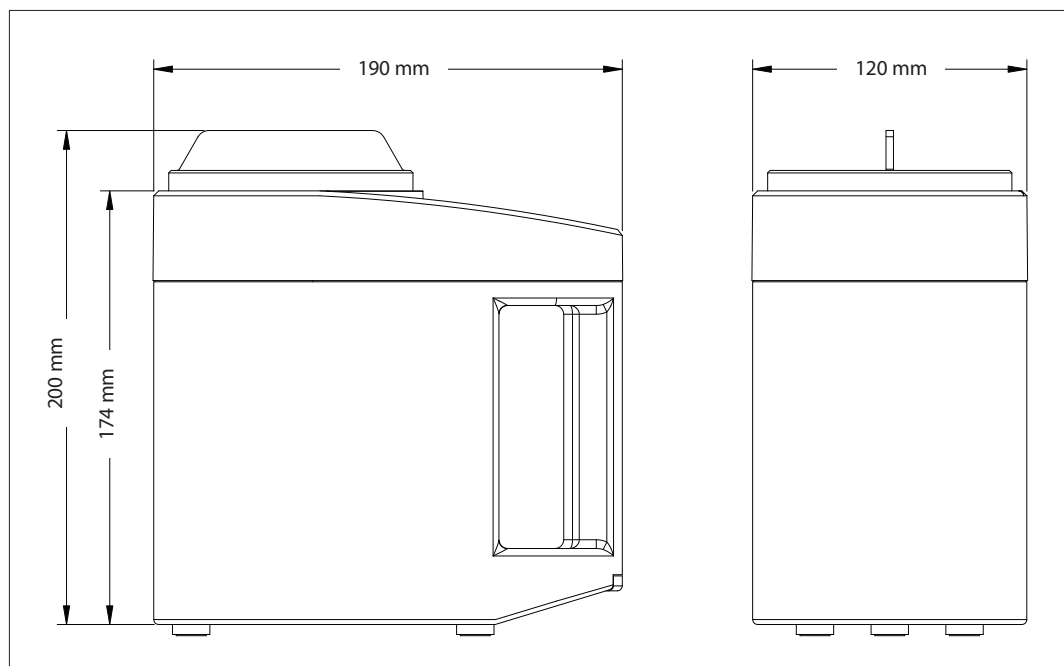
Other Standard Features and Equipment

Weight Calibration, Adjustment, Category Setup, Automatic Power Off, Automatic Temperature Compensation, Export or import categories via PC software

Compliance

• **Product Safety:** CE, CSA/UL and FCC approved

Dimensions



80774947_C 20190725 © Copyright OHAUS Corporation

OHAUS Europe GmbH

Heuwinkelstrasse,
8606 Naenikon,
Switzerland

e-mail: ssc@ohaus.com

Tel: 0041 22 567 53 19

e-mail: tsc@ohaus.com

Tel: 0041 22 567 53 20

www.ohaus.com

